

ACC SERIES

ACC-WPM20
30In Flood Light Wall/Pole Mounting Arm

Customer Name: _____

Project Name: _____

Note: _____ Type: _____



The Flood Light Wall-Mounting Arm, measuring 30 inches, serves as a crucial component for securely affixing floodlights to walls. This arm provides an elevated and adjustable platform for the floodlight fixture, ensuring optimal positioning to illuminate specific areas effectively.

Technical Specifications

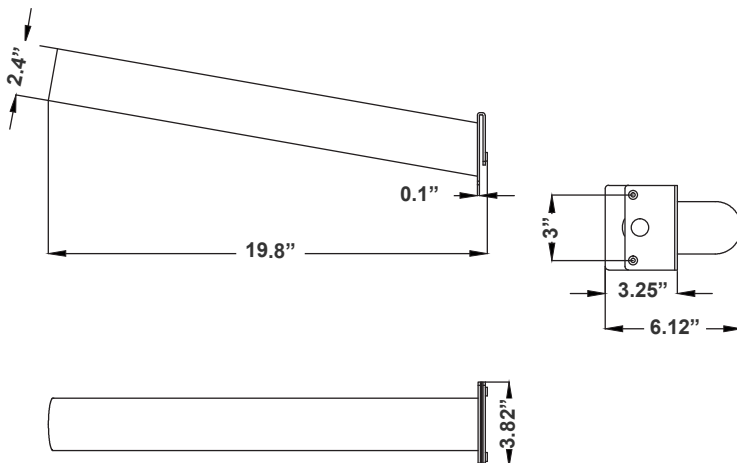
Mechanical:

- Wall Mounted or Round/Square Pole Mounted. Brackets Included.
- Inside diameter: 2-1/8"
- Outside diameter: 2-3/8"
- Maximum Weight: 22 lbs
- Aluminum Steel Housing
- Steel Thickness: 24 Gauge
- Suitable For Wet Locations
- 5-Year Warranty

Application:

The Flood Light Wall-Mounting Arm, measuring 30 inches, serves as a crucial component for securely affixing floodlights to walls. This arm provides an elevated and adjustable platform for the floodlight fixture, ensuring optimal positioning to illuminate specific areas effectively.

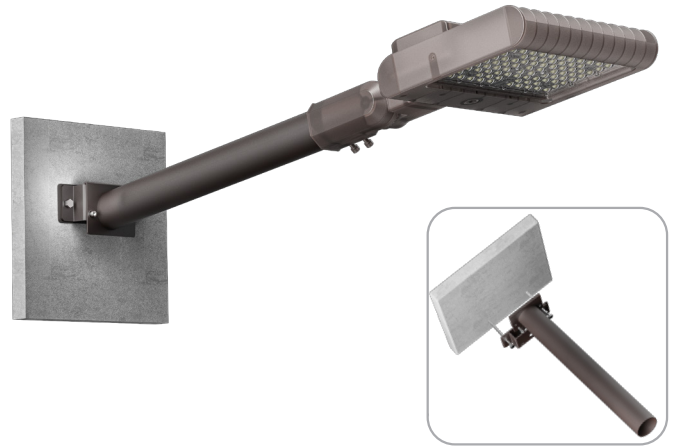
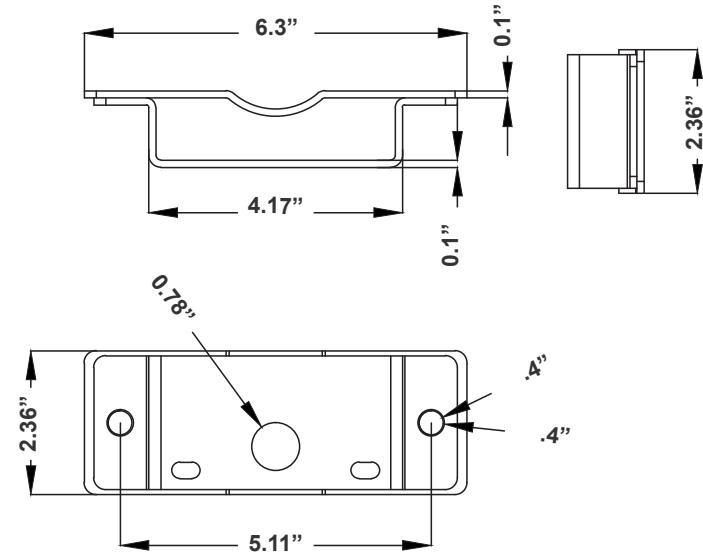
Drawings:



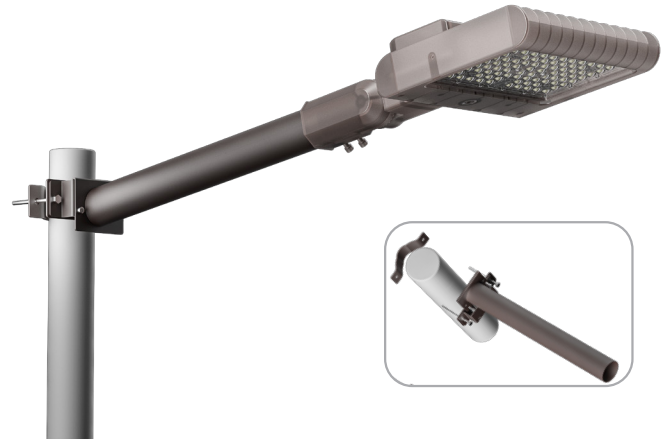
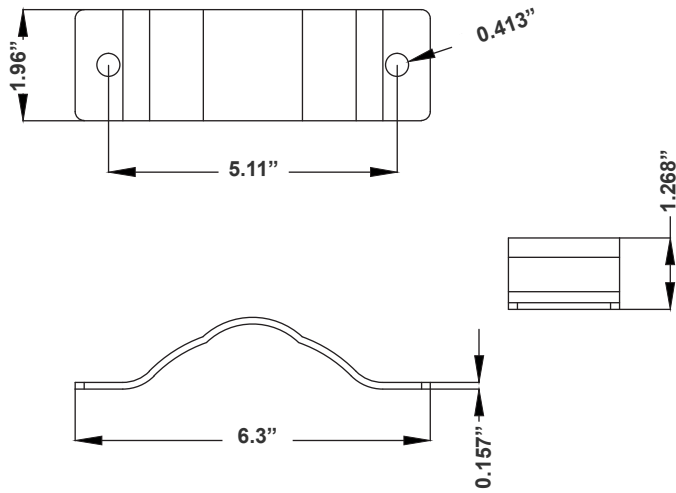
Stright Arm
3.82" (W) x 19.8" (H) x 6.12" (D)



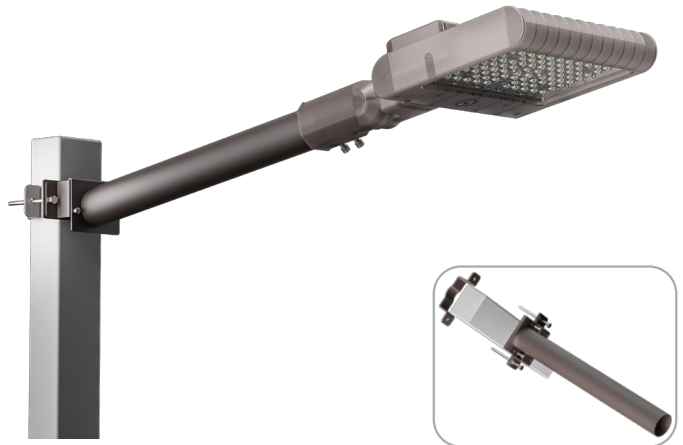
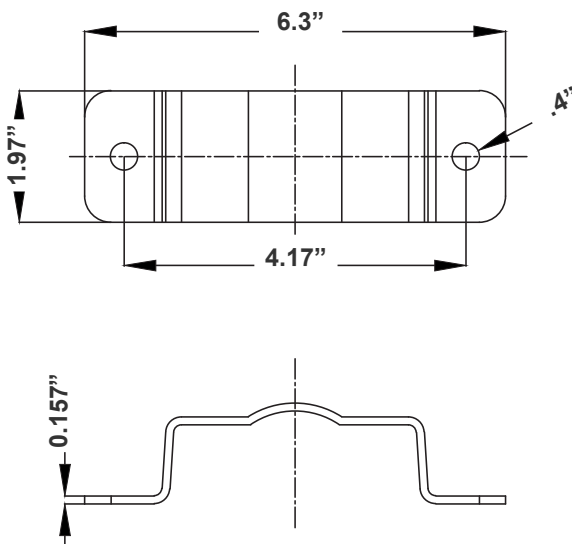
Drawings:



pole bracket
6.3" (W) x 2.36" (H) x 2.36" (D)



Round Pole Bracket
5.11" (W) x 1.96" (H) x 1.268" (D)



Square Pole Bracket
6.3" (W) x 2.36" (H) x 2.36" (D)



COLOR CHART: * Choose from one of our Premium Colors with no set-up fee.

Gloss:



SILVER METALLIC
70 GLOSS
T357-GR105



SILVER METALLIC
30 GLOSS
T353-GR06



DARK RED 90
GLOSS
P009-RD02



INTERNATIONAL
ORANGE 90
GLOSS
T009-OG26



SAFETY ORANGE
90 GLOSS
T009-OG01



YELLOW 90
GLOSS
T009-YL14



YELLOW 90
GLOSS
T009-YL01



TRAFFIC GREEN
70 GLOSS
T007-GN16



GREEN 70 GLOSS
T007-GN13



GREEN 60 GLOSS
C006-GN03



BLUE 90 GLOSS
T009-BL01



DARK BLUE 80
GLOSS
T008-BL20



RAL 8028 TERRA
BROWN 90 GLOSS
C209-BR358

Hammer:



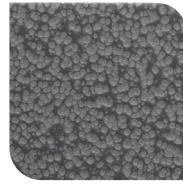
WHITE HAMMER
T013-WH09



BEIGE HAMMER
T013-BG38



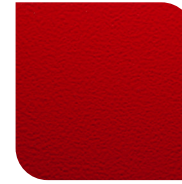
GREY HAMMER
C013-GR08



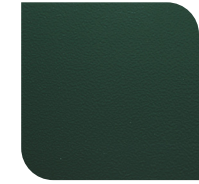
SILVER
HAMMERTONE
T064-GR05



BLACK HAMMER
T013-BK62



RED HAMMER
T013-RD15



GREEN HAMMER
T013-GN220



BLUE HAMMER
T013-BL468



BRONZE HAMMER
T012-BR161

Texture:



WHITE TEXTURE
C031-WH120



FLINT GRAY
TEXTURE
T243-GR522



BLACK TEXTURE
C241-BK109



RED TEXTURE
T241-RD129



BLUE TEXTURE
C241-BL544



OIL RUBBED
BRONZE TEXTURE
T291-BR251

Vein:



BLACK/WHITE
VEIN
T075-WH34



SILVER VEIN
T375-BK26



COPPER VEIN
EXTERIOR
T075-BK211



GOLD VEIN
T375-BK10



COPPER VEIN
T375-BK07

